

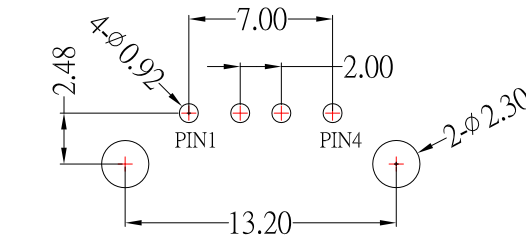
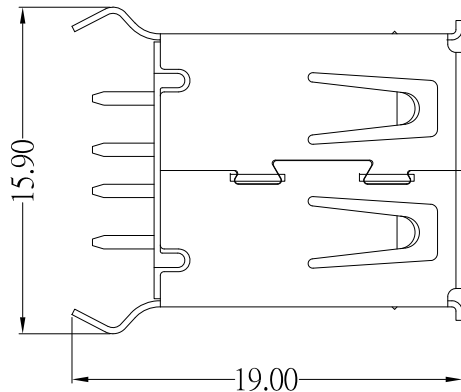
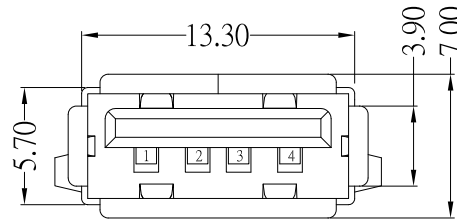
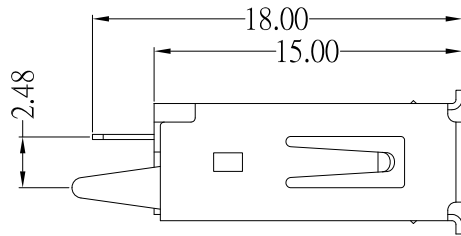
SUA-110V-x-x-S129

鍍層厚度 :

Blank	: 1u"
2	: 15u"
3	: 30u"

COLOR :

Black	: B
White	: W



P.C.B LAYOUT MOUNTING PATTERN

SPECIFICATIONS

1.MATERIAL:

- a.HOUSING:PBT
- b.CONTACT:BRASS
- c.SHEEL: BRASS

2.PLATING :

- a.CONTACT: Plated Gold in Mating Area ;
Tin Plated on Solder Balls ;
Nickel under plated overall
- b.PLATING: Nickel under Plated surface layer

3.ELECTRICAL:

- a.DIELECTRIC WITHSTANDING VOLTAGE: AC 500V
- b.INSULATION RESISTANCE: 1,000MΩ MIN
- c.CONTACT RESISTANCE: 30 mΩ MAX;

3.MECHANICAL:

- a.INSERTION FORCE: 3.57kg MAX
- b.WITHDRAWAL FORCE: 1.02kg MIN

4	更新尺寸	Jack	061919
3	新增PIN編號	Jack	062118
2	更新尺寸	Jack	050917
1	更新spec及材質	Jack	110813
ITEM NO.	DESCRIPTION	DRAWN	DATE



建倚科技股份有限公司
CONTACT TECHNOLOGY CORP.

TOLERANCE UNLESS OTHERWISE STATED :

Up to 5	±0.2
Above 5 ~ 15	±0.3
Above 15 ~ 30	±0.4
Above 30 ~ 50	±0.5
Angle	±0.3°

3RD. ANGEL'S



UNITS MM

DRAWN BY:	DATE	MAT'L	TITLE	CONNECTOR
Jack Lu	06/19/19			
CHECKED BY:	DATE	FINISH	MODLE	USB AF VERTICAL TYPE DIP
Jacky Chen	06/19/19			
APPROVED BY:	DATE	SCALE	DWG NO.	SUA-110V-x-x-S129
Tony Kao	06/19/19	1 : 1		
		SHEET NO.	PART NO.	SUA-110V-x-x-S129
		1 of 1		
				SIZE A4
				VER R4